

HS-423T Accelerometer

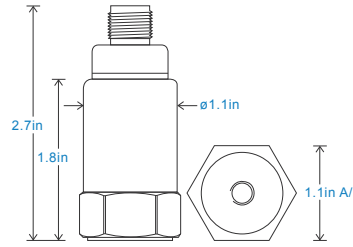
4-20mA acceleration, AC acceleration and temperature output via M12 Connector

Key Features

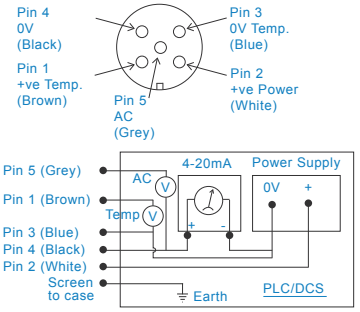
- Unique output
- For use with PLC/DCS systems and data collectors
- Temperature output

Industries

Building services, Pulp and Paper, Mining, Metals, Utilities, Automotive, Water, Pharmaceutical



Connection Details



Technical Performance

Mounted Base Resonance	10kHz min
Acceleration Ranges	see: 'How To Order' table $\pm 10\%$ Nominal 80Hz at 72°F
Frequency Response	600cpm (10Hz) to 300kcpm (5kHz) $\pm 5\%$ - ISO10816
Isolation	Base isolated
Range	see: 'How To Order' table
Temperature Output	10mV/°C - 0-1V proportional to 32-212°F (to convert this to 4-20mA use the HS-540 module)
Transverse Sensitivity	Less than 5%

Mechanical

Case Material	Stainless Steel
Sensing Element/Construction	PZT/Compression
Mounting Torque	5.9ft. lbs
Weight	4.7 oz. (nominal)
Shielded Cable Assembly	HS-AC303 - straight HS-AC032 - right angle
Mounting Threads	see: 'How To Order' table

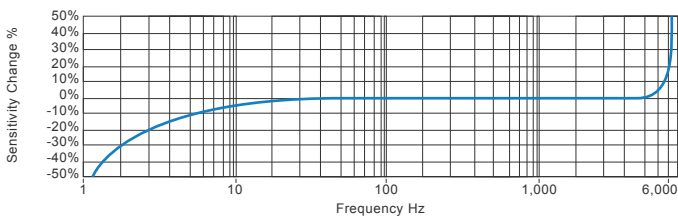
Electrical

Current Output	4-20mA DC current proportional to acceleration and AC acceleration
Bias Voltage	3 Volts DC (nominal)
Supply Voltage	15-30 Volts DC (for 4-20mA)
Settling Time	2 seconds
Output Impedance	Loop Resistance 600 Ohms max. at 24 Volts
Case Isolation	$>10^8$ Ohms at 500 Volts

Environmental

Operating Temperature Range	-13 to 194°F
Sealing	IP67
Maximum Shock	5000g
EMC	EN61326-1:2013

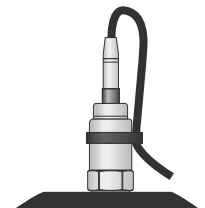
Typical Frequency Response



Applications

Fans, Motors, Pumps, Compressors, Centrifuges, Conveyors, Air Handlers, Gearboxes, Rolls, Dryers, Presses, Cooling, VAC, Spindles, Machine Tooling, Process Equipment

Vibration sensor should be firmly fixed to a flat surface (spot face surface may be needed to be produced and cable anchored to sensor body.)



How To Order

Product Prefix HS - Hansford Sensors	Product Series 423 - Industrial Vibration Sensor											
H	S	4	2	3	T	X	X	X	X	X	X	
Extra Options (if required)												
F - Filtered	L - 316L Stainless Steel	S - 90° Side Exit	T - Temperature Output	U - Imperial Range	UP - Imperial Peak Range	UPP - Imperial Peak to Peak Range	Acceleration Range (RMS unless specified)		Sensitivity	Range	Cable/Connector 53 - M12 (5 Pin)	Mounting Threads
							001 - 0-1g	100mV/g	$\pm 30g$		01 - 1/4-28" UNF Female	
							002 - 0-2g	100mV/g	$\pm 30g$		02 - 1/2-28" UNF Male	
							005 - 0-5g	100mV/g	$\pm 30g$		05 - Quick Fit Female	
							010 - 0-10g	100mV/g	$\pm 30g$		06 - M6 x 1mm Male	
							100 - 0-100g	50mV/g	$\pm 60g$		08 - M8 x 1.25mm Male	
											10 - M10 x 1.5mm Male	



www.hansfordsensors.com
sales@hansfordsensors.com



We reserve the right to alter the specification of this product without prior notice
TS433U.5