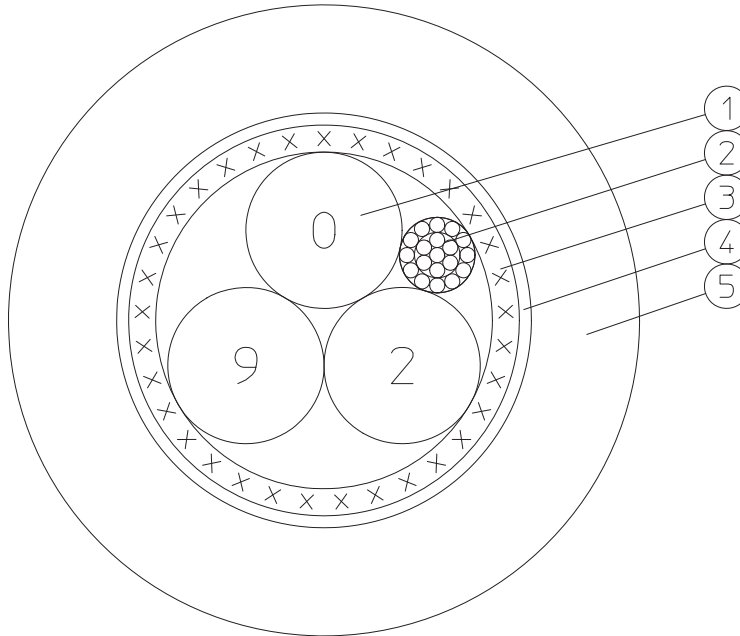


C01-018

### 3 Core Screened Silicon Cable, 150°C



Dimensions in mm unless otherwise stated

Dimensions ±4% unless otherwise stated

Electrical values ±10% unless otherwise stated

RoHS Compliant

Colour code	
0	Black
1	Brown
2	Red
3	Orange
4	Yellow
5	Green
6	Blue
7	Violet
8	Grey
9	White
29	Pink
5/4	Green/Yellow

HS-Revision	01
Date	2016-07-14

Description	Dimension	Overall Diameter	Remarks
1 Tin plated copper conductor Fluoropolymer insulation (ZL 2019)	20 AWG t = 0.17	0.96 1.30	19 x 0.20
2 Drain wire of tin plated copper	20 AWG	0.96	19 x 0.20
3 Braided screen of tin plated copper wire	16 x 7 x 0.10	3.25	minimum coverage: 85% lay length: 23.4 angle: 22.1°
4 Non woven polyester binder		3.40	
5 Jacket of Silicon, Blue	t = 0.90	5.20 min: 5.00 max: 5.40	jacket colour should approximate RAL 5015 pressure-extruded smooth and round

Electrical Properties		
Technical data	Values at 20°C	Unit
Conductor resistance	32.4	Ohms / km max
Insulation resistance	>1500	M Ohms / km
Test voltage	3	kV DC
Voltage rating	600 / 1000	V AC
Capacitance	Core - core: 178 Core - screen: 335	pF / m
Impedance	Core - core: 28.6 Core - screen: 15.3	Ohms
Inductance	0.50	µH / m

Physical Properties			
Summary	Cores	Jacket	Finished Cable
Flame retardant	IEC 60332-3-24	UL 94 HB	UL 94 HB
Fluids	Acid resistance	Excellent	Fair
	Base resistance	Excellent	Excellent
	Fuel resistance	Excellent	Weak
	Oil resistance	Excellent	Fair
	Water resistance	Excellent	Good
Halogen free	-	-	-
Low smoke	IEC 61034-2	IEC 61034-2	IEC 61034-2
Radiation tolerance	2x 10 <sup>5</sup> Gy	6x 10 <sup>5</sup> Gy	2x 10 <sup>5</sup> Gy
Weight	N/A	N/A	46 g/m
Temperature	-65°C	-50°C	-50°C
	20,000 hrs: +150°C	20,000 hrs: +150°C	20,000 hrs: +150°C
	3,000 hrs: +170°C	3,000 hrs: +180°C	3,000 hrs: +170°C

Values are presented in good faith and as a convenience to Hansford Sensors' customers.  
Hansford Sensors cannot accept liability for any direct, indirect, incidental or consequential damages related to the use, reproduction or distribution of the values presented.  
This drawing remains the property of Hansford Sensors and it is forbidden to copy, show or give it to a third party or person without written permission