

# The Bowl

## Adapter

(Optional) For reducing molded-in 1.5" NPT threads

## Hex

Easy wrench installation

## Magnet

(Optional) For capturing and viewing wear debris

## Shield

Molded in to protect the valve

## Brass Drain Valve

Spiral open, turn to lock

## Eyelets

Attach ID tags and other information

## Single-piece Design

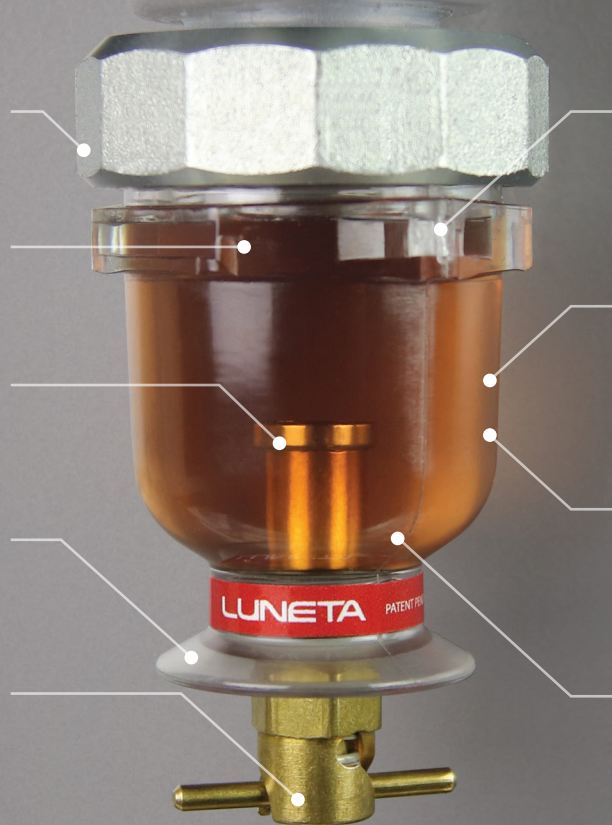
Molded-in 1.5" NPT male threads to eliminate potential leak points

## 360° View

Large viewing surface with no molded-in obstructions for easy viewing of the oil

## Rounded Bottom

For easy viewing and purging of sediment and water



## Proactive Monitoring Made Simple.

Luneta announces the release of its newest product: the Bowl. The ultimate 2-in-1 accessory, the Bowl serves as both a sight glass and BS&W bowl. Made of impact-resistant Tritan™, the Bowl is stronger than other drain port sight glasses, crystal clear and chemically resistant. The distinctive contour design allows for immediate visual inspection of the oil, along with early detection of potential contamination

problems such as water and sediment. Providing a visual indication of wear debris while the machine is running, the Bowl's rare earth magnetic drain plug also protects machinery by attracting and drawing wear particles to the bottom, proactively preventing machine failure and enabling a thorough drain of contaminants. **Eliminate contamination and downtime with the Bowl.**

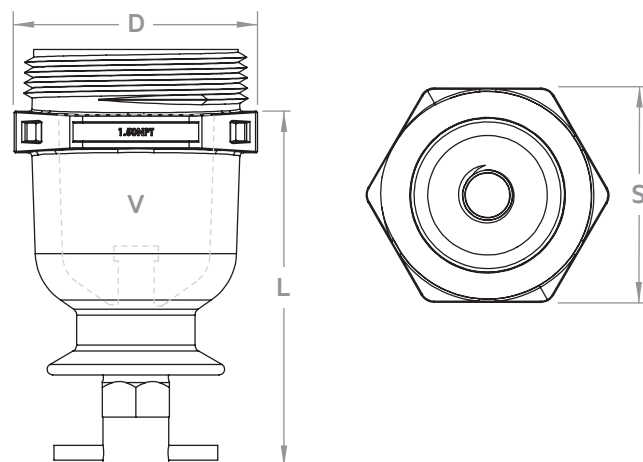
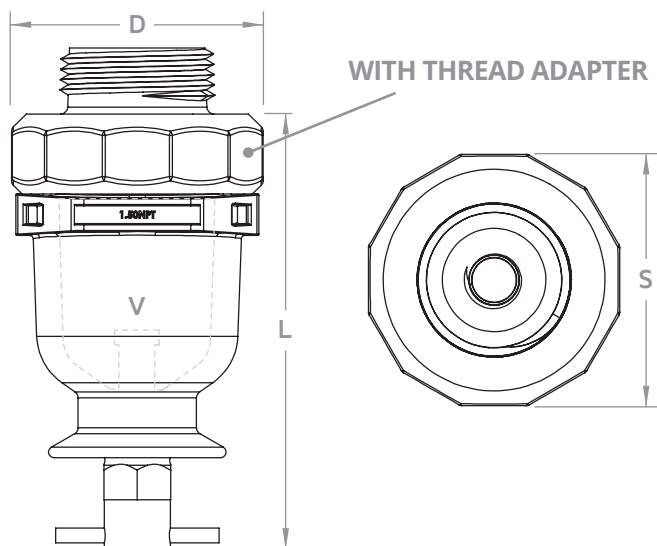
Learn more at [Luneta.com](http://Luneta.com) | 888-742-2021

**LUNETATA**  
SMART PRODUCTS • RELIABLE MACHINES



Designed for:  
 Drain Port Applications  
 Bottom Sediment Collection  
 Water & Debris Collection  
 Monitoring & Purging

# The Bowl



L - Length | D - Diameter | S - Wrench Size | V - Volume

## SPECIFICATIONS

- **Application:** Drain ports
- **Volume:** 1.0 fl. oz.
- **Threads:** Varies (see table)
- **Dimensions:** Varies (see table)
- **Shipping Weight:** 12 oz. each
- **Recommended Temperature:** -40°F to 200°F (-40°C to 93°C)
- **Recommended Pressure:** 65 psi./4.5 bar
- **Sampling/Drain Valves:** Drain valve, spiral to open, turn to lock
- **Materials:** Bowl: High-impact Tritan™ (a crystal-clear copolyester); Adapter: zinc-plated steel; Drain valve: brass; Magnet (optional): Strong neodymium rare earth magnet
- **Outdoor Compatibility:** UV-resistant to protect against long-term sun exposure
- **Chemical Compatibility:** Resistant to mineral and synthetic oils that are compatible with fluorocarbon elastomers (Viton™) and PMMA (acrylic) plastic

DESCRIPTION	PART NUMBER	L	D	S	V
1/2" NPT	BOWL.050	3.7"	2.2"	2 1/8"	1.0 fl.oz.
1/2" NPT Magnetic	BOWL.050.MAG	3.7"	2.2"	2 1/8"	1.0 fl.oz.
3/4" NPT	BOWL.075	3.7"	2.2"	2 1/8"	1.0 fl.oz.
3/4" NPT Magnetic	BOWL.075.MAG	3.7"	2.2"	2 1/8"	1.0 fl.oz.
1" NPT	BOWL.100	3.7"	2.2"	2 1/8"	1.0 fl.oz.
1" NPT Magnetic	BOWL.100.MAG	3.7"	2.2"	2 1/8"	1.0 fl.oz.
1 1/2" NPT	BOWL.150	3.0"	2.0"	1 13/16"	1.0 fl.oz.
1 1/2" NPT Magnetic	BOWL.150.MAG	3.0"	2.0"	1 13/16"	1.0 fl.oz.